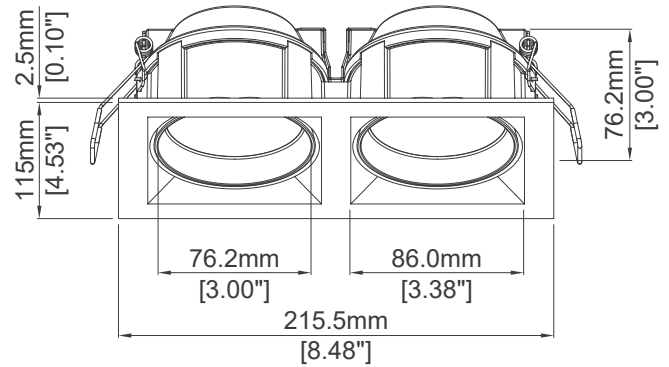


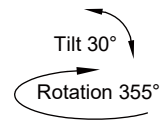
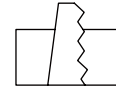
Specification sheet

REV.3

CLASSIC 75 Multiple 3.5" Adjustable Multiple



205 x 105mm
[8.07" x 4.13"]



Description

The CLS75 multiple is a versatile gimbal-adjustable recessed downlight with integrated dimmable class 2 driver. The die-cast LED engine and trim construction presents a sharp and sleek look. This luminaire features functional adjustability, 30° tilt and 355° rotation, and options for four different beam angles. CLS75 multiple comes with 5 year warranty and it is one of the best value downlights we offer.

Features

LED	Lumiled Luxeon COB1203/Bridgelux Vesta COB
Color temperature	2700K/ 3000K/ 3500K/ 4000K
Optics	Spot 20° / Medium 31° / Wide 41° / Flood 90°
Driver	Remote class 2 driver, power factor >0.90
Warranty	5 years/ 50,000 hrs

Performance

Delivered output	Up to 1670 lm
Power consumption	9W x2
Color consistency	3SDCM
Color rendering	90+CRI
CBCP	Spot 6919cd/ Medium 4329cd/ Wide 2910cd / Flood 831cd
Lumen Maintenance	L80 B10 50,000 hrs

Electrical and Control

Input voltage	See the ordering code
Input Current	TRIAC / ELV
Feature	Overload & short circuit protection.

Construction

Material	Casting & Extrusion grade Aluminum Alloy
Trim shape	Square
Lens	Interchangeable TIR optics

Rating/ Certification/ Warranty

- Dry and damp Locations
- RoHS compliant
- 5 years/ 50,000 hrs warranty

Ordering Code Information

PRODUCT	TRIM STYLE	LUMEN	COLOR TEMP	TRIM FINISH	BEAM ANGLE	COLOR RENDERING
CLS75 MT	SQ	16	27	WH	S	9
Classic 75 Multiple	SQ Square	16 1670lm	27 (2700K) 30 (3000K) 35 (3500K) 40 (4000K)	WH White BK Black	S Spot / 20 deg. M Medium / 31 deg. W Wide / 41 deg. F Flood / 90 deg.	9 90+CRI

Specification sheet

REV.3

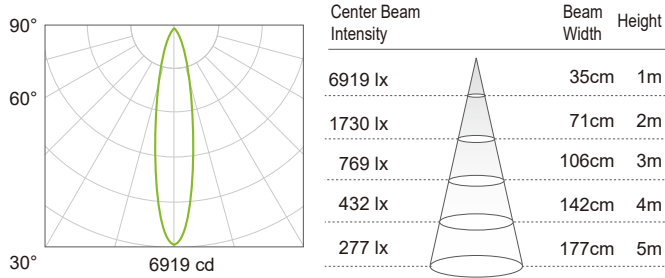
CLASSIC 75 Multiple
3.5" Adjustable Multiple

Photometrics

9Wx2 | 90CRI | 3000K | Square

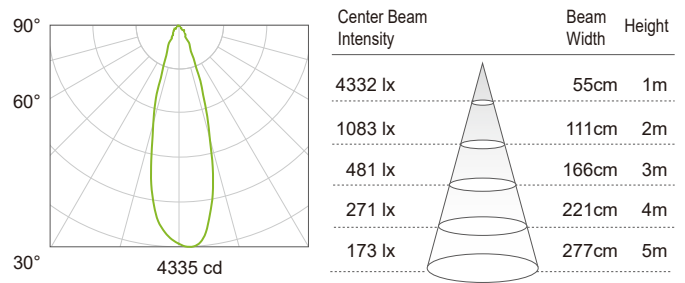
Spot 20°

Delivered Output : 1616 lm | CBCP : 6919cd | Beam Angle : 20°



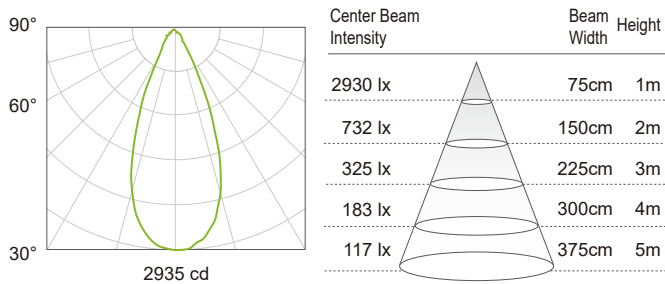
Medium 31°

Delivered Output : 1668 lm | CBCP : 4329 cd | Beam Angle : 31°



Wide 41°

Delivered Output : 1630 lm | CBCP : 2910 cd | Beam Angle : 41°



Flood 90°

Delivered Output : 1671 lm | CBCP : 831 cd | Beam Angle : 90°

